



### Applications:

1. Connecting three sheet piling walls.
2. 90° corner connection with swivel range of ~45° to ~135°, similar to the V 20.
3. Similar to Omega 12 corner with swivel range of ~70° to ~190°.
4. Suitable for circular driving with single piles (when working with double piles, a single pile should be inserted between the double piles on one side of the swivel range).

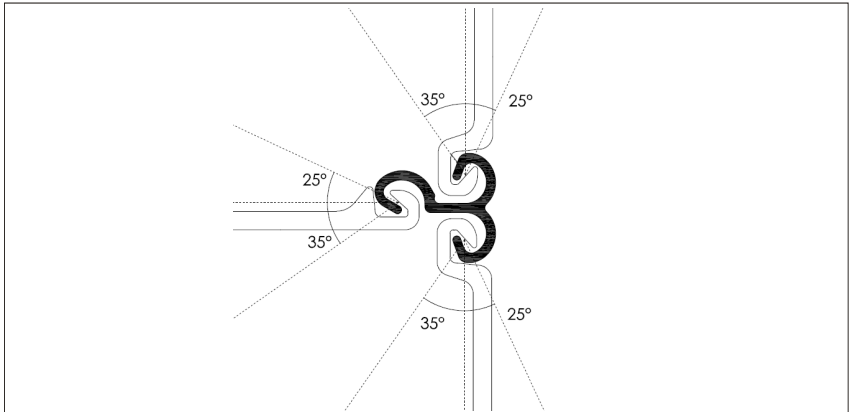
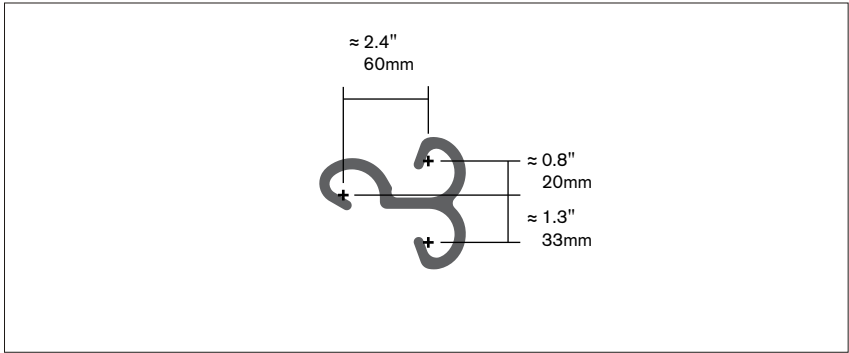
### Typical Properties:

Steel grade: ASTM A572 Grade 50 (S 355 GP)  
 Weight per linear foot: 12 pounds

### CAD-Service

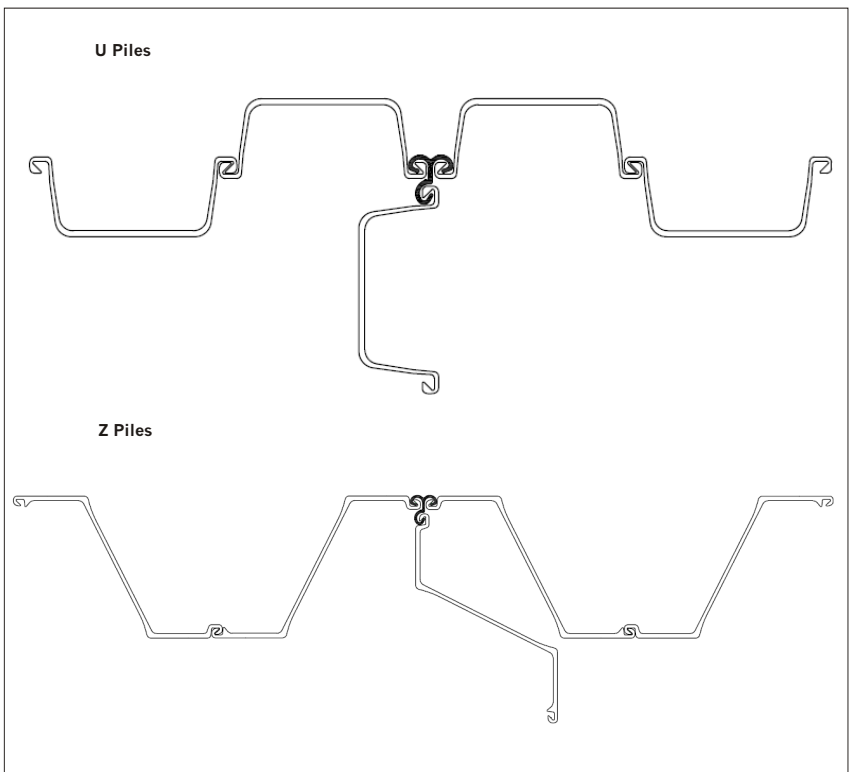
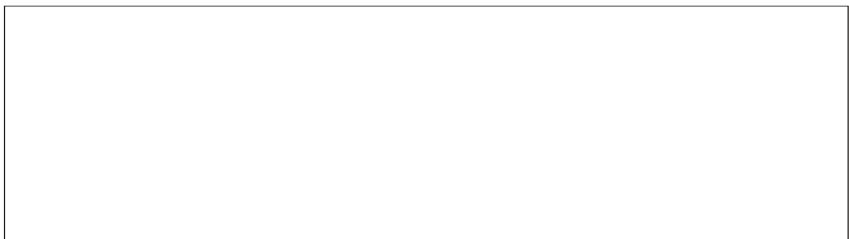
Downloads of data sheets and CAD files are available at [www.pilepro.com](http://www.pilepro.com)

### Certificate:



### Installation Guidelines

1. Please review proper interlocking examples as shown.
2. Thread the connector into the interlock while the sheet pile is out of the ground.
3. Adjust the connector to the appropriate position.
4. Tack or spot-weld the connector in place (typically a 10" weld attaching the connector to the sheet pile at the top is sufficient).
5. Drive/extract the sheet (with the connector attached) as you would normally.



### Please note:

1. Swing or rotation stated are typical but can vary by 10° or more due to rolling tolerances found in sheet pile interlocks.
2. PilePro® connectors are protected by patents.